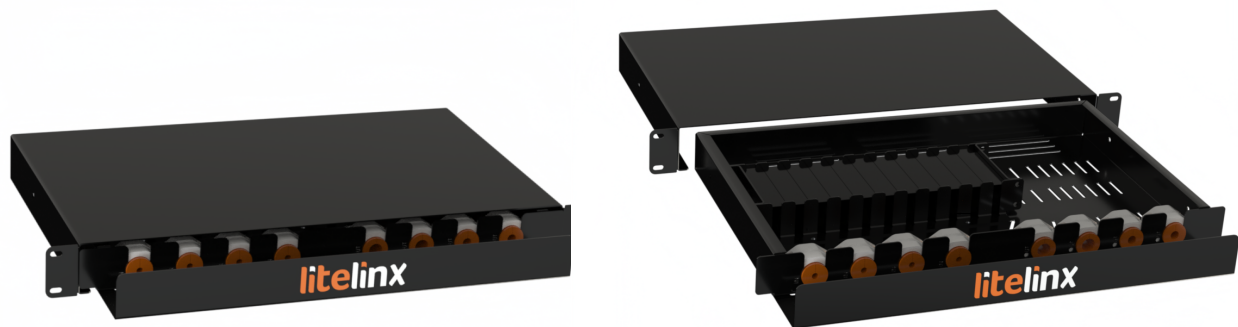


LiteSpeed Splitter



LiteLinx's configurable 1U splitter combination box offers precision engineering to accommodate standard ABS PLC splitters and 2.0mm loose tube fiber inputs and outputs, utilizing direct feedthrough of fiber bundles for enhanced capacity within a single rack unit. Its notable features include a ball bearing slide-out drawer capable of housing up to thirty-two 20x10x90 ABS PLC splitters, each configurable for input/output fiber length and connector type. Custom strain relief grommets facilitate efficient cable management, with logical grouping of input and output bundles for easy installation. Overall, Litelinx's solution provides a clean, organized approach to fiber optic splitting with meticulous attention to design and functionality.

Highlights:

- Each splitter configurable for input/output fiber length and connector type
- The logical layout groups input bundles in sets of 8
- Output bundles grouped in sets of 16 or 32 depending on splitter configuration
- Ball bearing slide-out drawer housing up to 32 ABS PLC splitters.

Highlights:

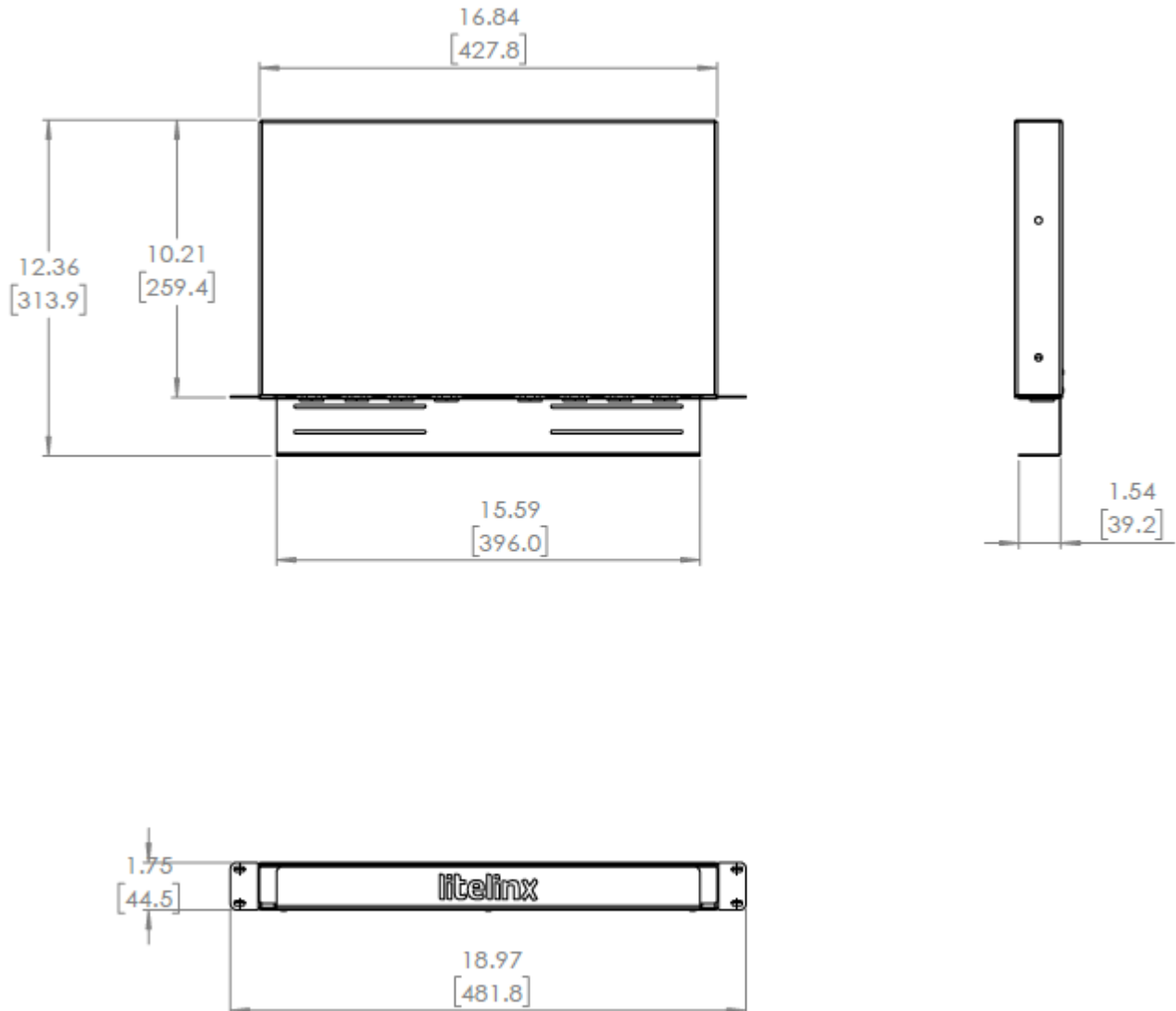
- Custom strain relief grommets for cable management, accommodating fiber bundles in quantities of 8, 16, and 32
- Made with sturdy 18 gauge steel.
- Features tailored cable entry and exit points for strain relief.
- Occupies a compact 1U footprint, conserving space in FTTP setups.
- Designed to fit standard 19" racks with its 1U design.

Specifications:

Product Dimensions	19.0" x 12.25" x 1.75" (483mm x 311mm x 45mm)
Product Weight	7.33 lbs / 3.325kg - (no splitters loaded)
Color	Matte Black
Material	18 Gauge Cold Rolled Steel (CRS)
Connectors	SC/APC and SC/UPC
Operating Temperature	-20°C~+60°C
Storage Temperature	-40°C~+60°C

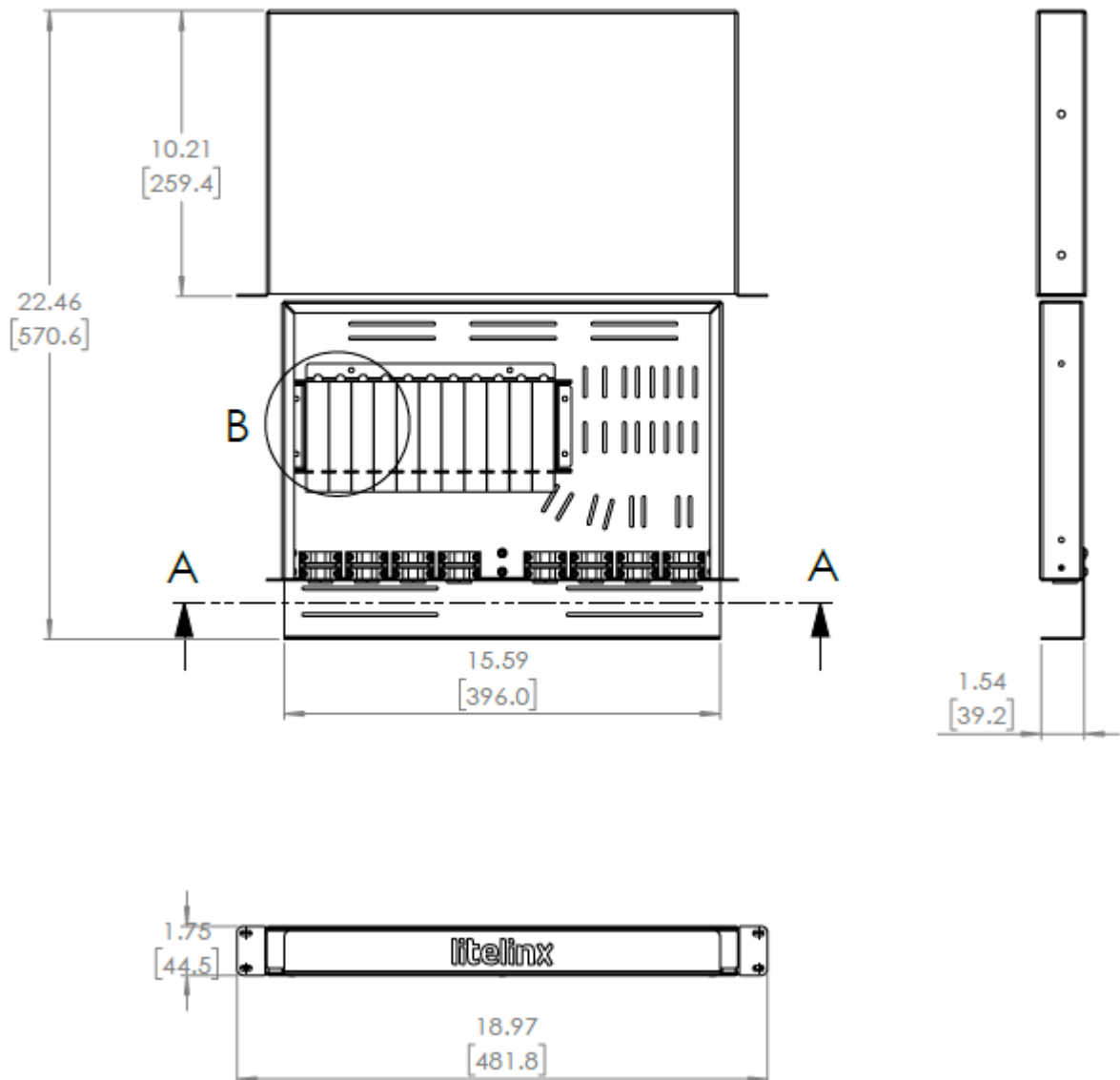
Product Diagram:

Closed



Product Diagram:

Open



Product Diagram:

